



Model Number

S331131-0044-SS 4-1/2" Deep Locking Cup Stainless Steel Strainer with Ball Locking Stainless Steel Basket

Features

Polished Stainless Steel Finish

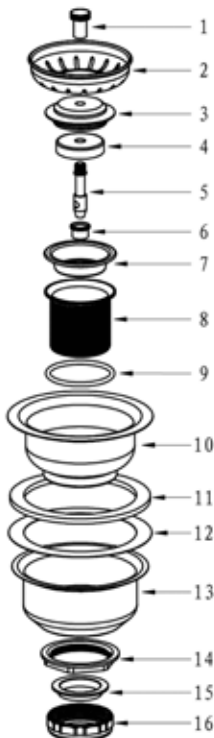
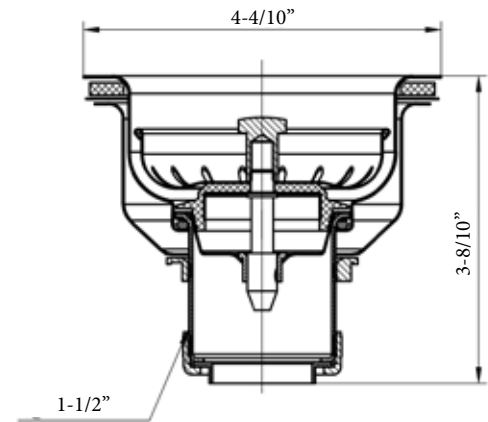
Ball Locking Stainless Steel Basket

4-1/2" Deep Locking Cup

Fits 3-1/2" Opening

1-1/2" Connection

Less Tailpiece



No.	Part Name	Materials	Finish
1	Post	Brass	Polished Chrome
2	Basket	SUS430	Polished Stainless Steel
3	Stopper	Rubber	Black
4	Gasket	SUS430	Rough Stainless Steel
5	Shaft w/ Ball	Brass	Nickel Plated
6	Insert	Brass	Nickel Plated
7	Flange	SUS430	Polished Stainless Steel
8	Shank	SUS430	Rough Stainless Steel
9	O-Ring	Rubber	Black
10	Body	SUS430	Polished Stainless Steel
11	Gasket	Rubber	Black
12	Friction Gasket	Paper	White
13	Locking Cup	Steel	Galvanized
14	Lock Nut	Zinc Alloy	Zinc Plated
15	Tailpiece Washer	PE	Translucent
16	Tailpiece Nut	Zinc Alloy	Color Plated