

S33A2-6032CTMIN

60 in x 32 in x 18 in (1525 mm x 813 mm x 458 mm)



FEATURES

- Durable high gloss finish
- Pre-leveled base
- Left, right drain
- Slip resistant, textured bottom
- Available in White
- 15-year residential limited warranty

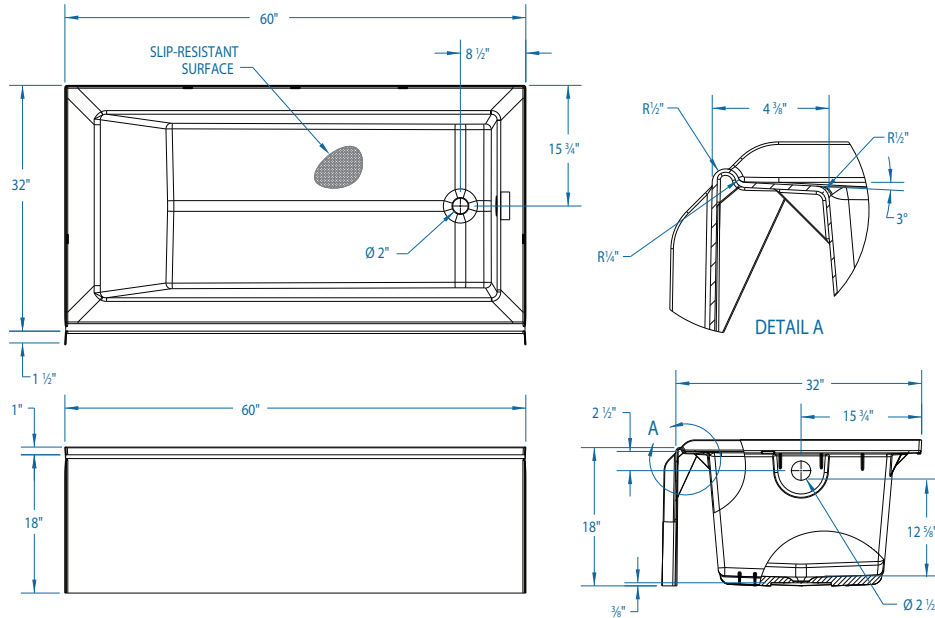


What is A² Composite?

Lightweight and durable, our A² Composite is an engineered compound of resin, glass and special fillers formed into sheets. These sheets are then placed under high pressure and heat to liquefy the compound, allowing it to flow and take the shape of almost any form imaginable. The results are simple, stylish and a snap to install.

S33A2-6032CTMIN

60 in x 32 in x 18 in (1525 mm x 813 mm x 458 mm)



FEATURES

Dimensional Tolerance $\pm 3/8$ ". Dimensions needed for site preparation should be measured from the unit. Stream33 assumes no responsibility for preparatory work.

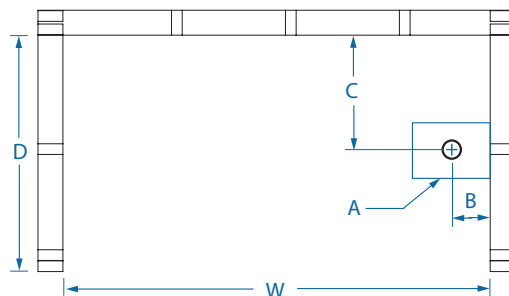
Model #	Material	Jets	Motor	Controls	Drain	Net Wt.	Pkg. Wt.
S33A2-6032CTMIN	A ² Composite	-	-	-	Left or Right	57 lbs (26 kg)	65 lbs (30 kg)

DIMENSIONS

Specifications	
Width: Overall / Net	60 in (1525 mm)
Depth: Overall / Net	33 1/2 in (851 mm) / 32 in (813 mm)
Height: Overall / Net	19 in (483 mm) / 18 in (458 mm)
Enclosure Opening	-
Skirt Height	18 in (458 mm)
Drain Rough-In (from Back Wall)	15 3/4 in (400 mm)
Drain Rough-In (from Side Wall)	2 3/4 in (70 mm)
Drain: Diameter / Clearance	2 in (51 mm) / 1/2 in (13 mm)

FRAMING DIMENSIONS

Type	D Depth	W Width	H Height	A	B	C
Alcove	33 1/2 in (851 mm)	60 in (1525 mm)	19 in (483 mm)	Box Out	2 3/4 in (70 mm)	15 3/4 in (400 mm)



SUMP DATA

Top of Drain to Bottom of Overflow	Capacity to Overflow	WIDTH @ Centerline		DEPTH @ Centerline	
		Top	Bottom	Top	Bottom
12 3/8 in (321 mm)	52 3/10 gal (198 ltr)	51 3/8 in (1312 mm)	42 1/2 in (1070 mm)	23 3/8 in (607 mm)	21 3/8 in (543 mm)