

S33A2-6034CPANNS

60 in x 34 in x 6 in (1525 mm x 865 mm x 150 mm)



FEATURES

- Durable high gloss finish
- Pre-leveled base
- Center drain
- Slip-resistant, textured bottom
- Designed for tile-wall applications
- Extended tiling flange (3T)
- Enhanced front profile
- Patented design features:
 - corner drainage channels
 - step-design finishing guides
 - extended nailing flange
- Solid A² Composite material
- Available in White
- 15-year residential limited warranty

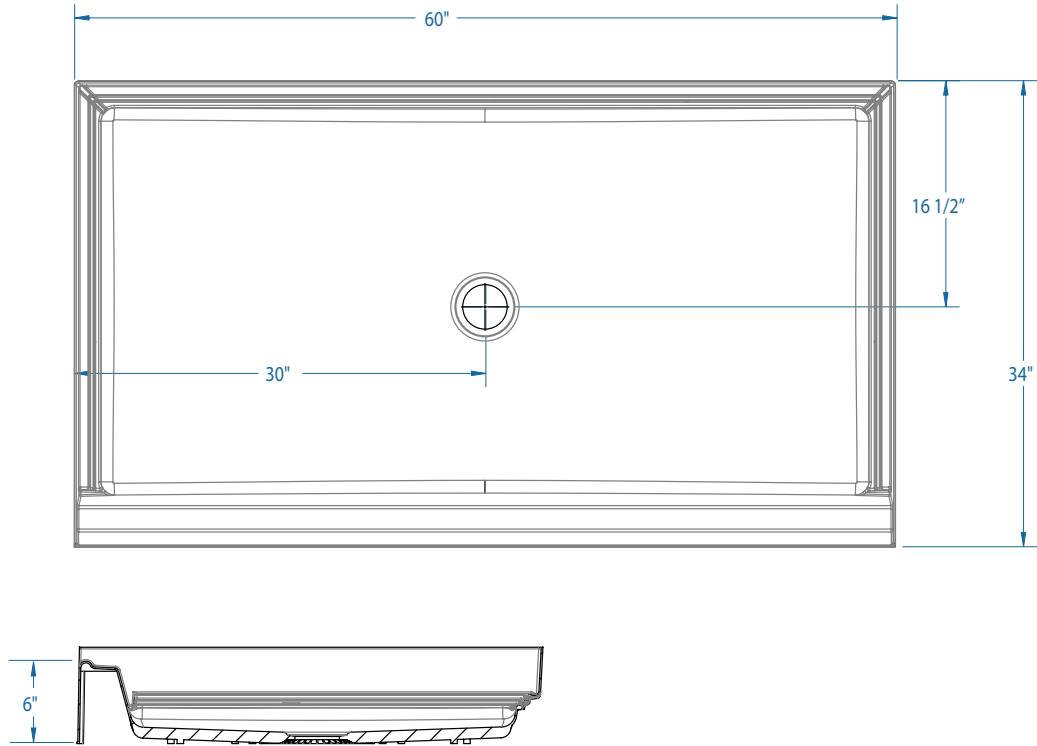


What is A² Composite?

Lightweight and durable, our A² Composite is an engineered compound of resin, glass and special fillers formed into sheets. These sheets are then placed under high pressure and heat to liquefy the compound, allowing it to flow and take the shape of almost any form imaginable. The results are simple, stylish and a snap to install.

S33A2-6034CPANNS

60 in x 34 in x 6 in (1525 mm x 865 mm x 150 mm)



FEATURES

Dimensional Tolerance $\pm 3/8$ ". Dimensions needed for site preparation should be measured from the unit. Stream33 assumes no responsibility for preparatory work.

Model #	Material	Drain	Net Wt.	Pkg. Wt.
S33A2-6034CPANNS	A ² Composite	Center	50 lbs (23 kg)	55 lbs (25 kg)

DIMENSIONS

Specifications	
Width: Overall / Net	60 in (1525 mm)
Depth: Overall / Net	34 in (865 mm)
Height: Overall / Net	7 in (180 mm) / 6 in (150 mm)
Enclosure Opening	-
Skirt Height	6 in (150 mm)
Drain Rough-In (from Back Wall)	16 1/2 in (420 mm)
Drain Rough-In (from Side Wall)	30 in (760 mm)
Drain: Diameter / Clearance	3 1/4 in (85 mm) / 3/8 in (10 mm)

FRAMING DIMENSIONS

Type	D Depth	W Width	H Height	A	B	C
Alcove	34 in (865 mm)	60 in (1524 mm)	-	Box Out	30 in (760 mm)	16 1/2 in (420 mm)

