

### S33A2-6030CT

60 in x 30 in x 15 in (1525 mm x 760 mm x 380 mm)



#### FEATURES

- Durable high gloss finish
- Pre-Leveled base
- Left, right drain
- Slip resistant, textured bottom
- Available in White
- 15-year residential limited warranty



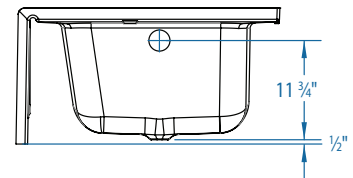
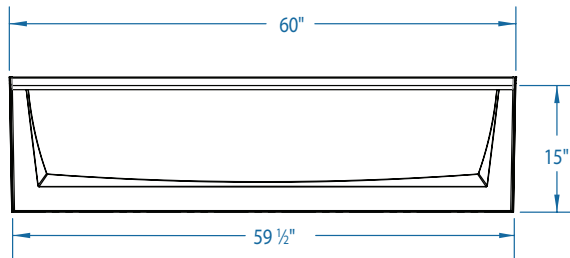
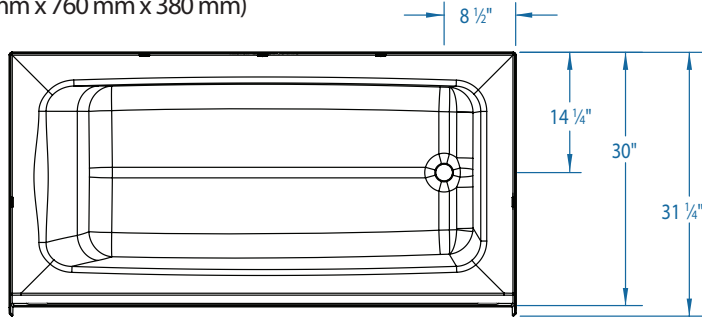
#### What is A<sup>2</sup> Composite?

Lightweight and durable, our A<sup>2</sup> Composite is an engineered compound of resin, glass and special fillers formed into sheets. These sheets are then placed under high pressure and heat to liquefy the compound, allowing it to flow and take the shape of almost any form imaginable. The results are simple, stylish and a snap to install.



### S33A2-6030CT

60 in x 30 in x 15 in (1525 mm x 760 mm x 380 mm)



#### FEATURES

Dimensional Tolerance  $\pm 3/8$ ". Dimensions needed for site preparation should be measured from the unit. Stream33 assumes no responsibility for preparatory work.

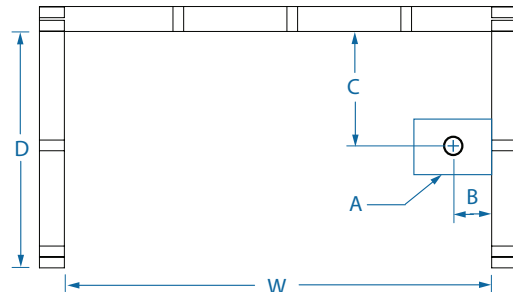
Model #	Material	Jets	Motor	Controls	Drain	Net Wt.	Pkg. Wt.
S33A2-6030CT	A <sup>2</sup> Composite	-	-	-	Left or Right	57 lbs (26 kg)	65 lbs (29 kg)

#### DIMENSIONS

Specifications	
Width: Overall / Net	60 in (1525 mm)
Depth: Overall / Net	31 1/4 in (795 mm) / 30 in (760 mm)
Height: Overall / Net	16 1/2 in (420 mm) / 15 in (380 mm)
Enclosure Opening	-
Skirt Height	15 in (380 mm)
Drain Rough-In (from Back Wall)	14 1/4 in (360 mm)
Drain Rough-In (from Side Wall)	2 7/8 in (75 mm)
Drain: Diameter / Clearance	2 in (50 mm) / 1/2 in (15 mm)

#### FRAMING DIMENSIONS

Type	D Depth	W Width	H Height	A	B	C
Alcove	31 1/4 in (795 mm)	60 in (1525 mm)	16 in (405 mm)	Box Out	2 7/8 in (75 mm)	14 1/4 in (360 mm)



#### SUMP DATA

Top of Drain to Bottom of Overflow	Capacity to Overflow	Min. Operating Capacity	WIDTH at Centerline		DEPTH at Centerline	
			Top	Bottom	Top	Bottom
9 7/8 in (250 mm)	37 gal (940 ltr)	-	51 1/2 in (1310 mm)	45 1/2 in (1155 mm)	22 1/4 in (565 mm)	20 1/2 in (520 mm)