

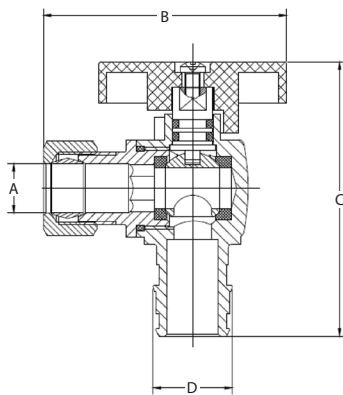


S33-EFQTAS-1214UPE .3391398

INLET x OUTLET	DIMENSIONS (in)			
	A	B	C	D
1/2" PEX-A x 1/4" OD Comp	0.25	1.93	2.12	0.61

S33-EFQTAS-1238UPE .3387029

INLET x OUTLET	DIMENSIONS (in)			
	A	B	C	D
1/2" PEX-A x 3/8" OD Comp	.38	1.89	2.12	0.61



SUBMITTAL SHEET

PROJECT INFORMATION

Job Name: _____

Location: _____

Engineer: _____

Contractor: _____

P.O. Number: _____

Representative: _____

MODELS

S33-EFQTAS-1214UPE

S33-EFQTAS-1238UPE

DESCRIPTION

Stream33® Angle Stop Quarter-Turn Valve connects to a supply line and allows the control of water flow to a plumbing fixture. The quarter-turn handle easily and quickly turns water flow to the end fixture on and off, making it simple to perform repairs or maintenance without needing to turn the water off in the household.

FEATURES

- Lead-free chrome-plated brass body
- Quarter-turn handle
- Angle stop valve

OPERATING SPECIFICATIONS

- Temperature rating: 32° - 185° F
- Pressure rating: 200 PSI maximum

APPROVALS

- cUPC
- NSF/ANSI 61
- AB1953

MATERIAL SPECIFICATIONS

Body	C46500 Brass
Stem	C89500 Brass
O-Ring	NBR
Handle	ABS
Screw	Stainless Steel 667
Slip Joint Washer	H62 Brass
Slip Joint Nut	HPB57-3 Brass
PEX Insert Material	C46500 Brass